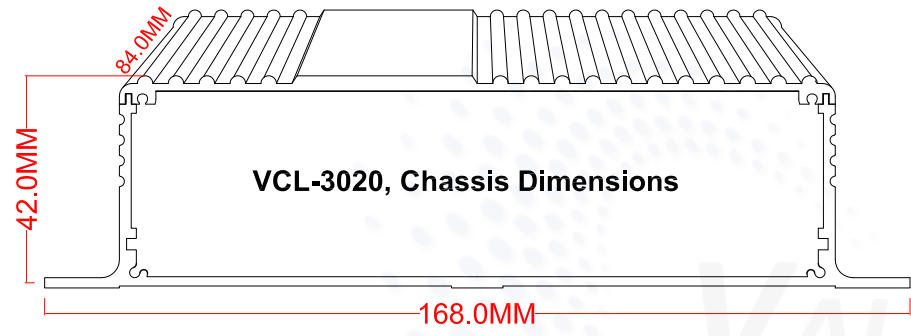


REVISION
DATE
NAME
CHECK
CHECK
CHECK
DATE
REVISION
DATE
CHECK
CHECK
CHECK
APPR.

The Drawing and any information or descriptive matter set out hereon are the confidential property of Valiant Communications and must not be disclosed, loaned, copied, used for manufacturing, tending or any other purpose without their written permission.

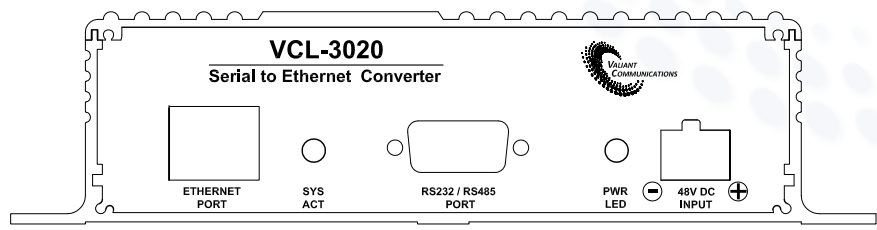
1 2 3 4 5 6 7 8 9 10 11 12 13 14 15

Mechanical Drawing of VCL-3020, Serial to Ethernet Converter

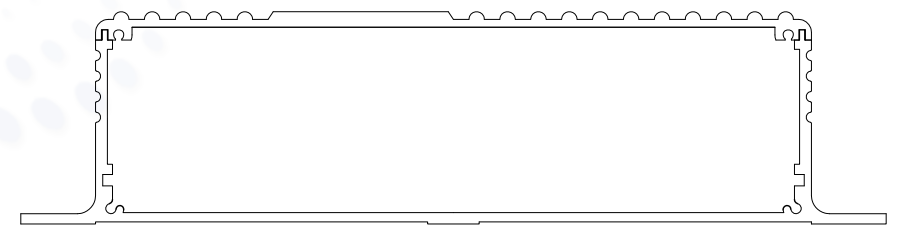


VCL-3020	
Mechanical Dimensions	
Width	168.0 MM
Height	42.0 MM
Depth	84.0 MM
Weight	.3kg

Front View



Rear View



Title: Mechanical Drawing of VCL-3020, Serial to Ethernet Converter



Valiant
Communications

Drawing No:
EMD-3020/SEC/01

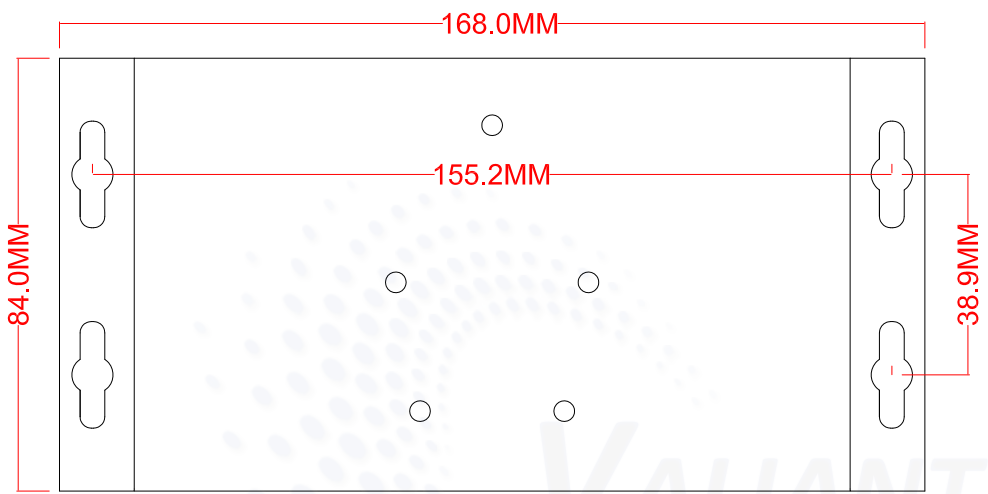
Date	Rev	Sheet	01
Nov 08, 2021	01	Next Sheet	02

A
B
C
D
E
F
G
H
I
J
K

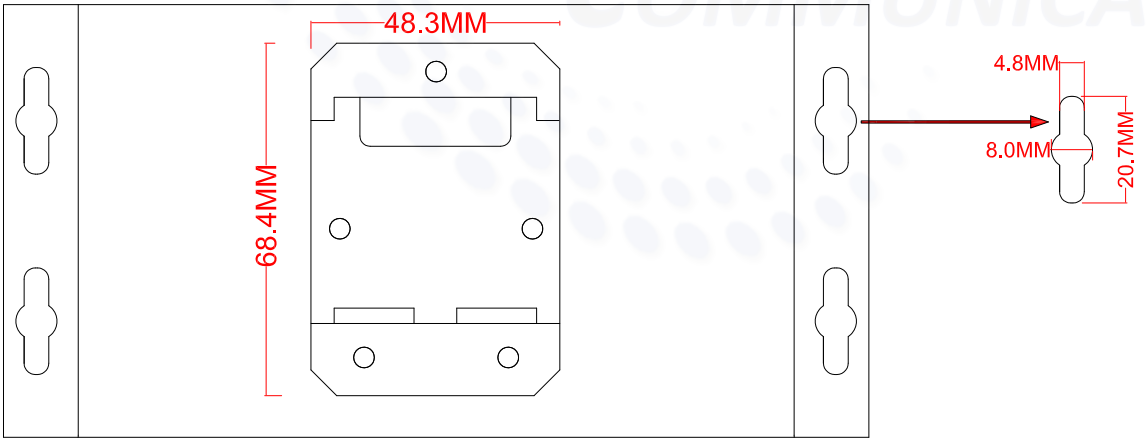
REVISION
DATE
NAME
CHECK
CHECK
CHECK
DATE
REVISION
DATE
CHECK
CHECK
CHECK
APPR.

The Drawing and any information or descriptive matter set out hereon are the confidential property of Valiant Communications and must not be disclosed, loaned, copied, used for manufacturing, tending or any other purpose without their written permission.

Mechanical Drawing of VCL-3020, Serial to Ethernet Converter



Bottom View



Bottom View with DIN Rail

VCL-3020 Bottom View	
Mechanical Dimensions	
Width	168.0 MM
Height	84.0 MM

Title: Mechanical Drawing of VCL-3020, Serial to Ethernet Converter



Drawing No: EMD-3020/SEC/02

Date	Rev	Sheet	02
Nov 08, 2021	02	Next Sheet	END