

1
2
3
4
5
6
7
8
9
10
11
12
13
14
15

A
B
C
D
E
F
G
H
I
J
K

APPR.
CHECK
DATE
REVISION

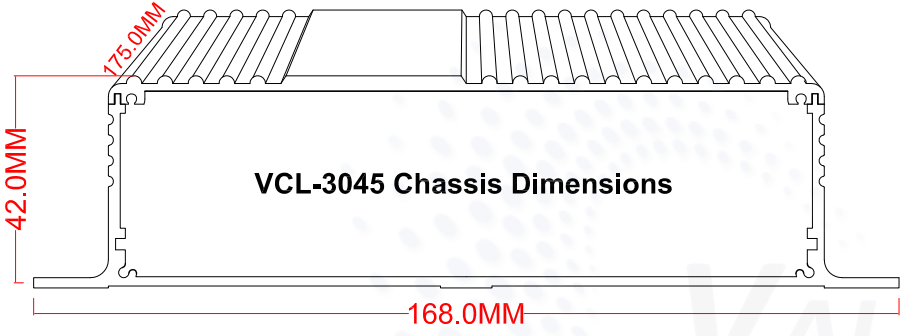
NAME
DATE
REVISION

CHECK
CHECK
CHECK

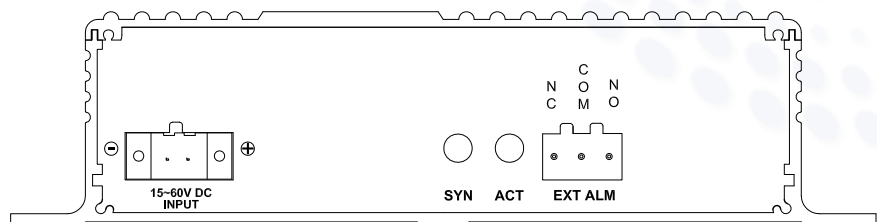
The Drawing and any information or descriptive matter set out hereon are the confidential property of Valiant Communications and must not be disclosed, loaned, copied, used for manufacturing, tending or any other purpose without their written permission

Mechanical Drawing of VCL-3045 NTP to IRIG-B (BNC) Converter

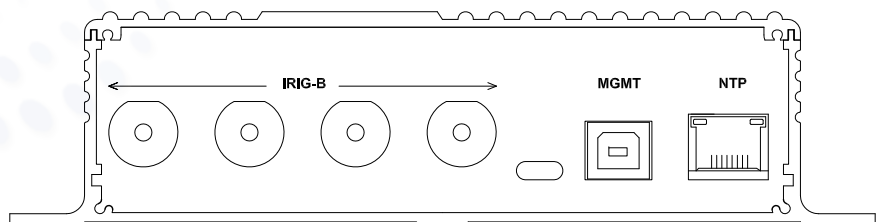
VCL-3045	
Mechanical Dimensions	
Width	168.0 MM
Height	42.0 MM
Depth	175.0 MM
Weight	0.7 Kg



Front View



Rear View



Title: Mechanical Drawing of VCL-3045 NTP to IRIG-B (BNC) Converter



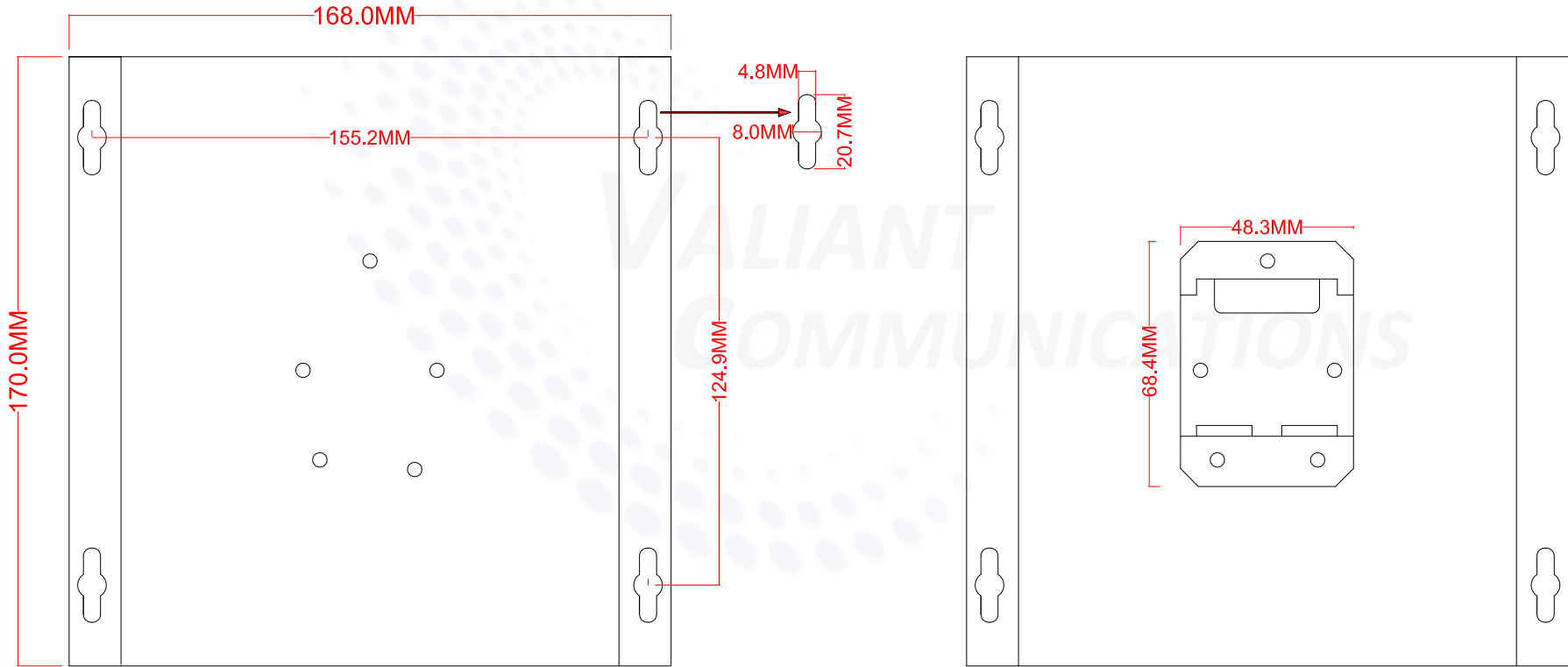
Drawing No:
EMD-3045/BNC/002

Date	Rev	Sheet	01
Nov 09, 2021	02	Next Sheet	02

A
B
C
D
E
F
G
H
I
J
K

VCL-3045 NTP to IRIG-B (BNC) Converter (Bottom View)

VCL-3045 Bottom View	
Mechanical Dimensions	
Width	168.0 MM
Height	170.0 MM



Bottom View

Bottom View with DIN Rail

Title: Mechanical Drawing of VCL-3045 NTP to IRIG-B (BNC) Converter (Bottom View)



Valiant
Communications

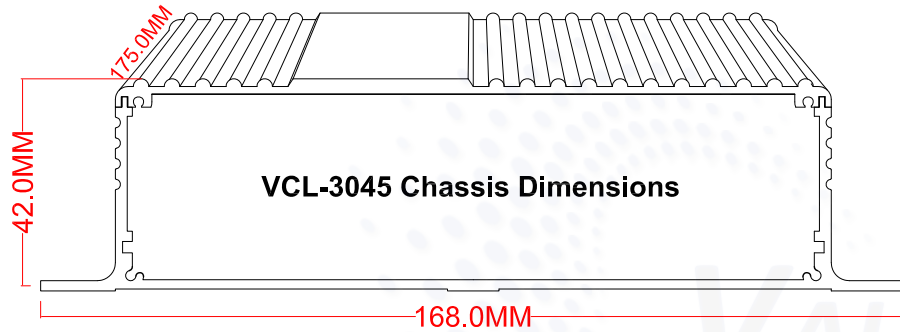
Drawing No:
EMD-3045/BNC/002

Date	Rev	Sheet	02
Nov 02, 2021	01	Next Sheet	END

REVISION
DATE
NAME
CHECK
CHECK
CHECK
REVISION
DATE
CHECK
CHECK
CHECK
APPR.

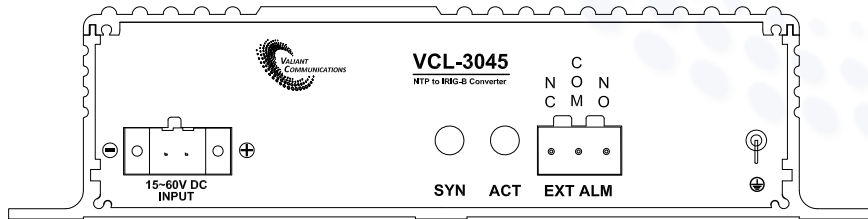
1 2 3 4 5 6 7 8 9 10 11 12 13 14 15

Mechanical Drawing of VCL-3045 NTP to IRIG-B Converter (RS232)

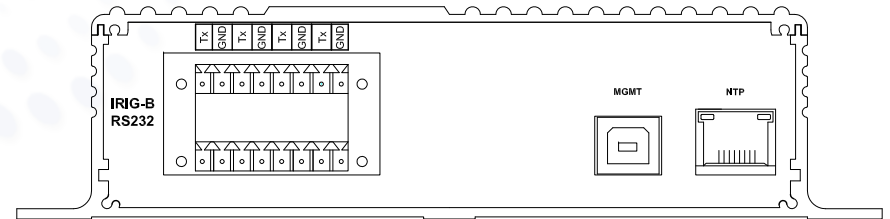


VCL-3045	
Mechanical Dimensions	
Width	168.0 MM
Height	42.0 MM
Depth	175.0 MM
Weight	0.8Kg

Front View



Rear View



Title: Mechanical Drawing of VCL-3045 NTP to IRIG-B Converter (RS232)



Valiant
Communications

Drawing No:
EMD-3045/NTP/IRIG-B/
001

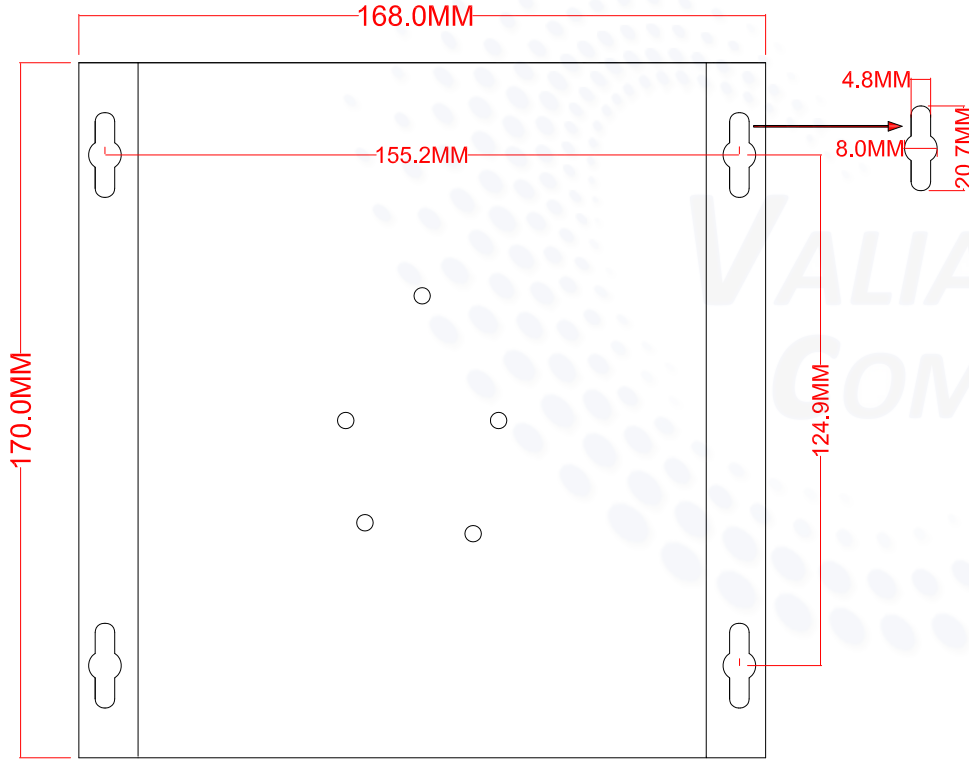
Date	Rev	Sheet	01
Nov 09, 2022	01	Next Sheet	02

The Drawing and any information or descriptive matter set out herein are the confidential property of Valiant Communications and must not be disclosed, loaned, copied, used for manufacturing, tending or any other purpose without their written permission

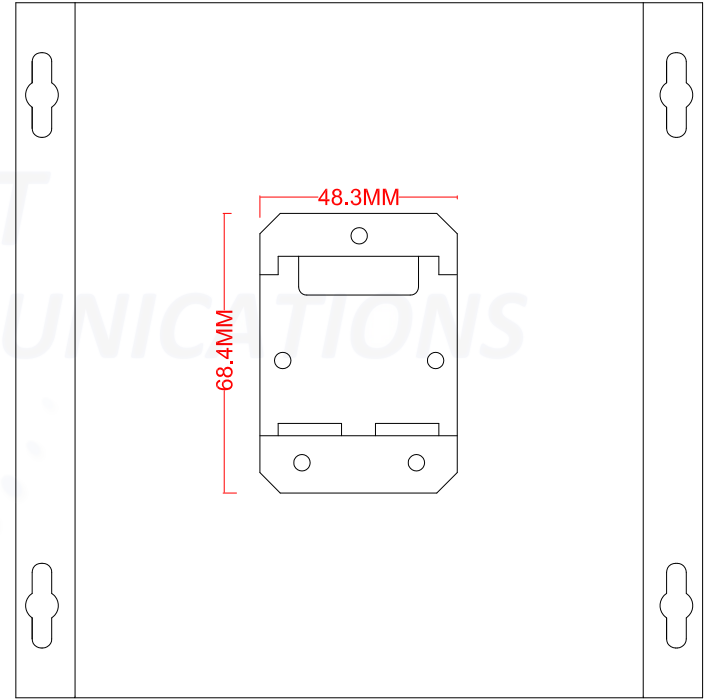
The Drawing and any information or descriptive matter set out hereon are the confidential property of Valiant Communications and must not be disclosed, loaned, copied, used for manufacturing, tending or any other purpose without their written permission

Mechanical Drawing of VCL-3045 NTP to IRIG-B Converter (RS232)

VCL-3045 Bottom View	
Mechanical Dimensions	
Width	168.0 MM
Height	170.0 MM



Bottom View



Bottom View with DIN Rail

Title: Mechanical Drawing of VCL-3045 NTP to IRIG-B Converter (RS232) (Bottom View)



Valiant
Communications

Drawing No:
EMD-3045/NTP/IRIG-B/
001

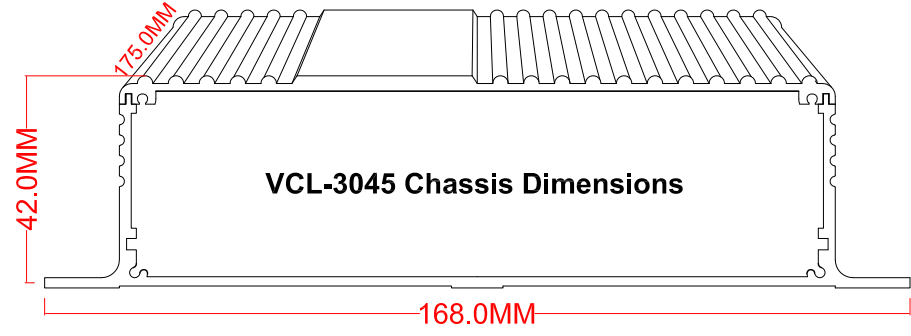
Date	Rev	Sheet	02
Nov 09, 2022	01	Next Sheet	END

APPR. _____
 CHECK _____
 DATE _____
 REVISION _____
 NAME _____
 DATE _____
 REVISION _____
 The Drawing and any information or descriptive matter set out hereon are the confidential property of Valiant Communications and must not be disclosed, loaned, copied, used for manufacturing, tending or any other purpose without their written permission.

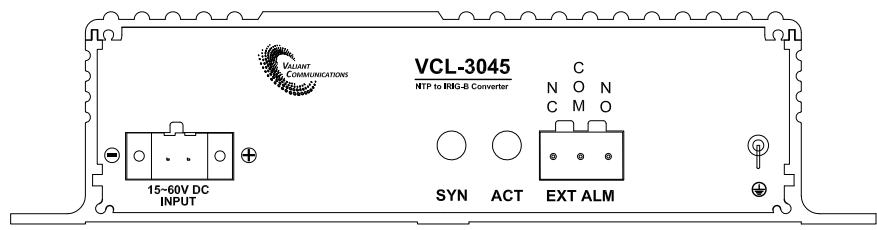
1 2 3 4 5 6 7 8 9 10 11 12 13 14 15

Mechanical Drawing of VCL-3045 NTP to IRIG-B Converter (RS485)

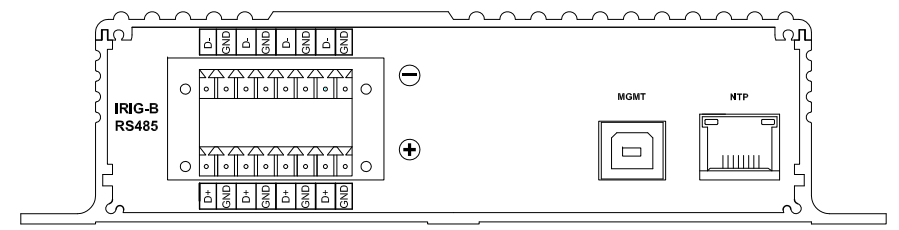
VCL-3045	
Mechanical Dimensions	
Width	168.0 MM
Height	42.0 MM
Depth	175.0 MM
Weight	0.8Kg



Front View

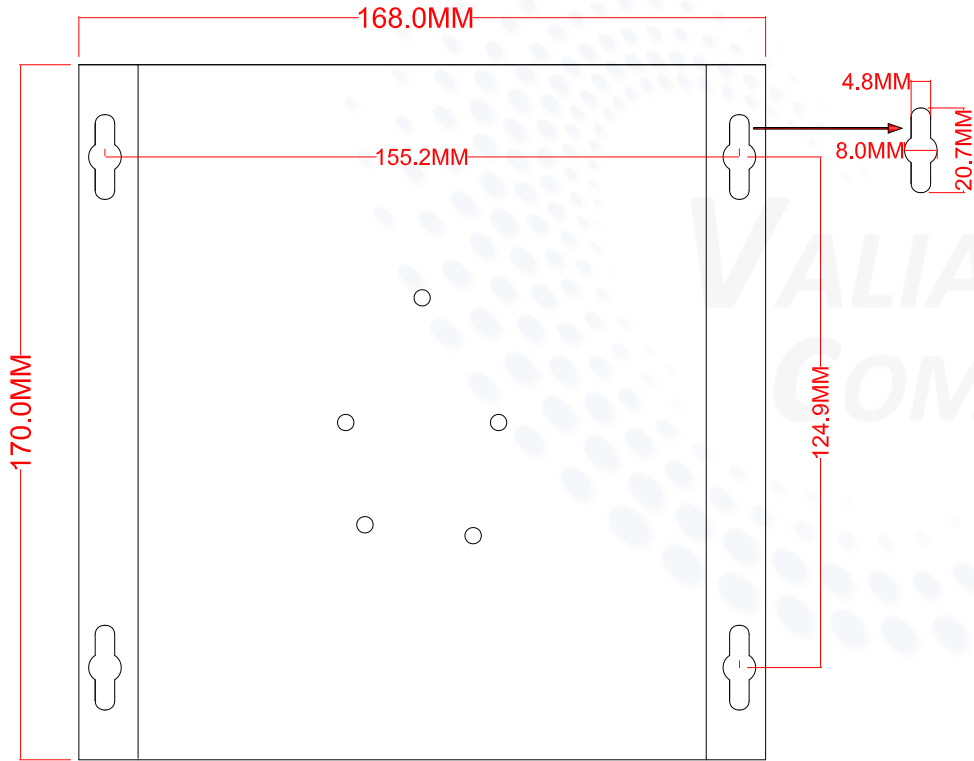


Rear View

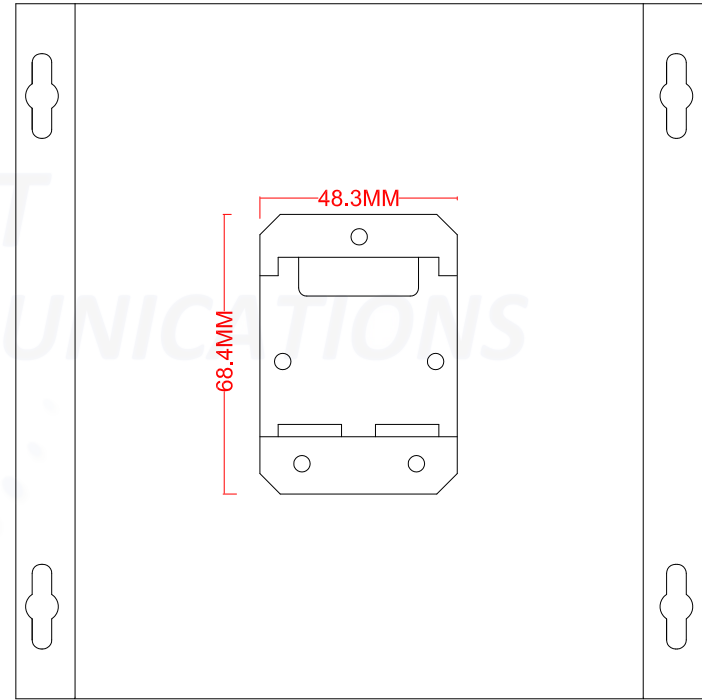


Mechanical Drawing of VCL-3045 NTP to IRIG-B Converter (RS485)

VCL-3045 Bottom View	
Mechanical Dimensions	
Width	168.0 MM
Height	170.0 MM



Bottom View



Bottom View with DIN Rail

Title: Mechanical Drawing of VCL-3045 NTP to IRIG-B Converter (RS485) (Bottom View)



Valiant
Communications

Drawing No:
EMD-3045/NTP/IRIG-B/
001

Date	Rev	Sheet	02
Nov 09, 2022	01	Next Sheet	END