

# VALIANT COMMUNICATIONS LIMITED



**16xE1 Monitoring Patch Panel (120 Ohms)  
16xT1 Monitoring Patch Panel (100 Ohms)**

---

## Product Brochure

### **U.K.**

Valiant Communications (UK) Ltd  
1, Acton Hill Mews,  
310-328 Uxbridge Road,  
London W3 9QN, United Kingdom

**E-mail:** [gb@valiantcom.com](mailto:gb@valiantcom.com)

### **U.S.A.**

Valcomm Technologies Inc.  
4000 Ponce de Leon, Suite 470  
Coral Gables, FL 33146  
U.S.A.

**E-mail:** [us@valiantcom.com](mailto:us@valiantcom.com)

### **INDIA**

Valiant Communications Limited  
71/1, Shivaji Marg,  
New Delhi - 110015,  
India

**E-mail:** [mail@valiantcom.com](mailto:mail@valiantcom.com)

**Description**

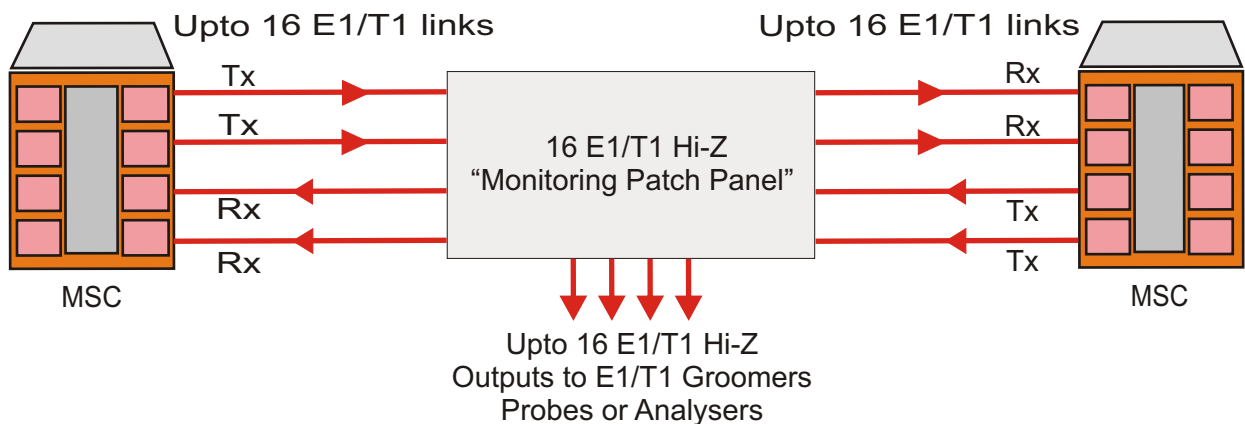
The E1/T1 16 Port Monitoring Patch Panel is primarily designed for applications where E1/T1 circuits are required to be “tapped” for non-intrusive monitoring applications. The E1/T1 Monitoring Patch Panel is simultaneously provides up to 16 high-impedance (Hi-Z) outputs on its monitoring (MON) port(s) from which, both the transmit (Tx) and the receive (Rx) signals of the patched E1/T1 link can be “tapped non-intrusively” (i.e without disturbing or loading the active E1/T1 link(s) in any manner, and connected to E1/T1 Groomers, Probes or Analysers.

**DIP Switch settings**

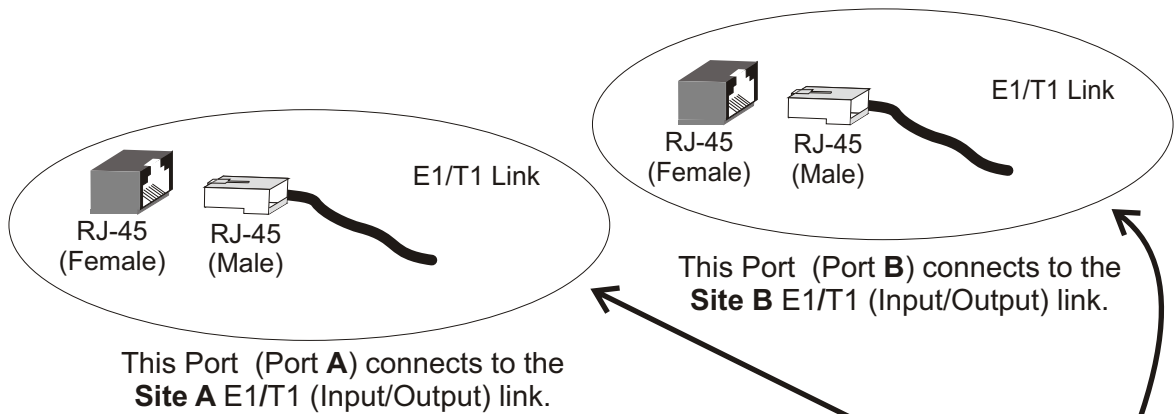


All four DIP switches must be set to **OFF** position for non-intrusive monitoring applications.

**Typical Application Diagram**

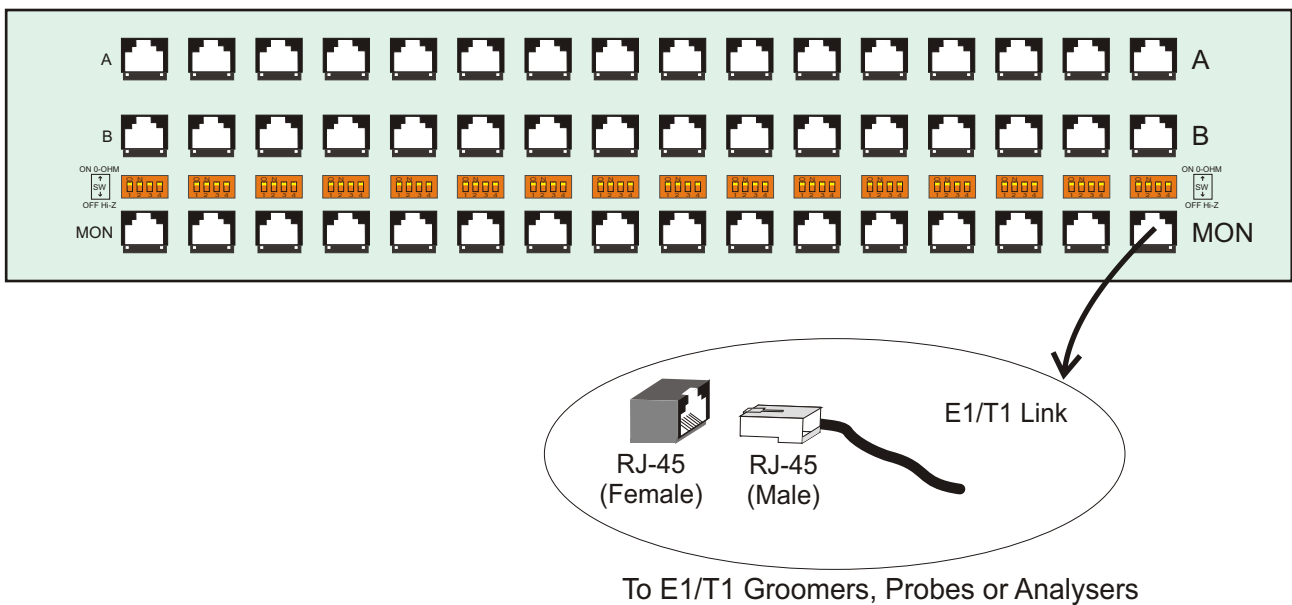


### Connecting E1/T1 Main Link



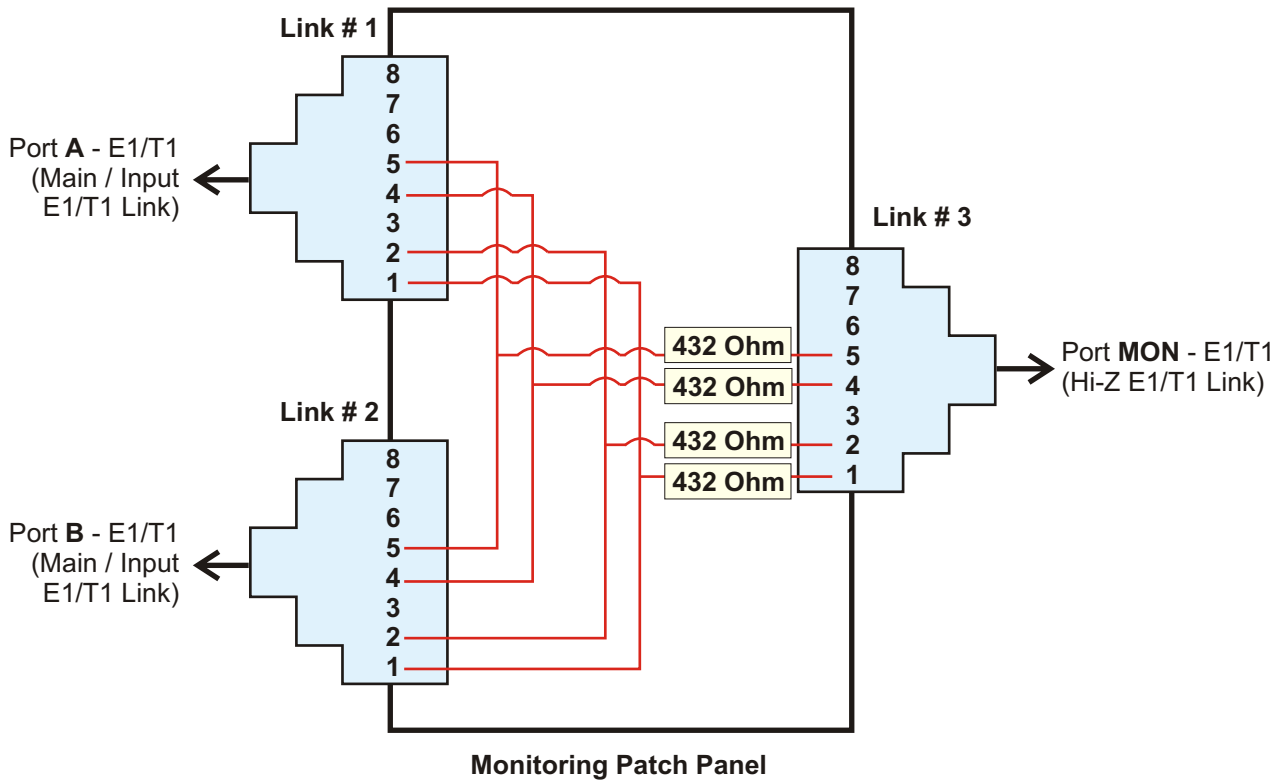
The RJ-45 Connectors Row **A** and Row **B** are used for Data IN/Data OUT from/to the **Site A** and **Site B** E1/T1 link.

### Connecting Hi-Z Output



The RJ-45 Connectors Row **MON** are used for Hi-Z Data OUT from the E1/T1 link connected on Row **A** and Row **B** to E1/T1 Groomers, Probes or Analysers.

**16 x E1/T1 Monitoring Patch Panel - Circuit Schematic**



The Hi-Z (432 Ohm) resistive output is provided on the Monitoring (MON) Port of the Patch Panel for connecting to the Groomer / Probe / Analyser.

**RJ-45 for E1/T1 Port**

RJ-45 (Female) Pin #	Signal in RJ-45 (Female)
1	Data In / Data Out
2	Data In / Data Out
4	Data Out / Data In
5	Data Out / Data In

**Mechanical Specification**

Rack Mounting	Standard 19 Inch. DIN Rack
Height	90 mm.
Depth	45 mm.
Width	485 mm. (with mounting brackets)
Weight	1.4 kg.

### Ordering Information

S. No.	Part #	Product Description
1	VCL-1240-MON-120-100-RJ45F-16	16 x E1/T1, 120/100 Ohms RJ45 (F) High Impedance (HiZ) Monitoring Patch Panel 19" Shelf 2U High Mount Version with Hardware Set [RJ45 cables not included]

Technical specifications are subject to changes without notice.  
All brand names and trademarks are the property of their respective owners.  
Revision 07 - August 13, 2012

#### U.K.

Valiant Communications (UK) Ltd  
1, Acton Hill Mews,  
310-328 Uxbridge Road,  
London W3 9QN, United Kingdom

**E-mail:** [gb@valiantcom.com](mailto:gb@valiantcom.com)

#### U.S.A.

Valcomm Technologies Inc.  
4000 Ponce de Leon, Suite 470  
Coral Gables, FL 33146  
U.S.A.

**E-mail:** [us@valiantcom.com](mailto:us@valiantcom.com)

#### INDIA

Valiant Communications Limited  
71/1, Shivaji Marg,  
New Delhi - 110015,  
India

**E-mail:** [mail@valiantcom.com](mailto:mail@valiantcom.com)